

Momentum

Momentum Assembly guide



Installation needs to be done according to the sketch given by the sales people

After installation of profiles please proceed with level 0-panels and afterwards with level-1 components

Overview:

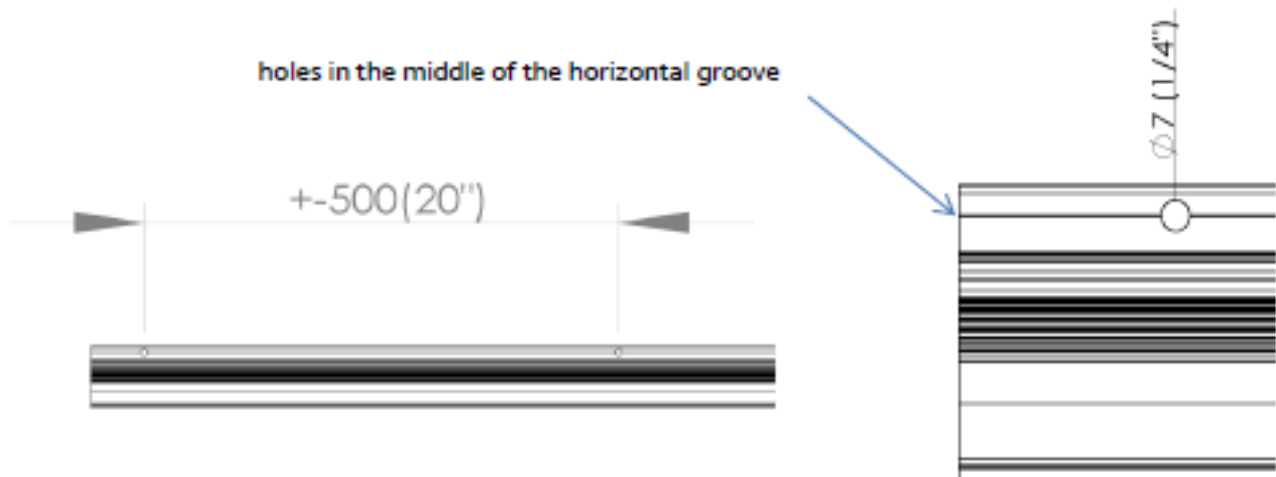
1.	Attaching rails	Page 2-4
2.	Mount the side profiles and endstops* (*if ordered)	Page 5-7
3.	Placement level-0 panels	Page 8
4.	Placement of level-1 boards	Page 9
5.	Placement level-2 boards	Page 10-13
6.	Cable entries (custom made)	Page 14

1 a) Mounting the lower rail

Drill holes, $\varnothing 7\text{mm}(1/4")$ in the rail. 2 at the ends and in between every $\pm 500\text{mm}(20")$

For studwalls drill holes corresponding the studs.

Note: mounting material for studwalls is not included.



Hold the rail against the wall and mark the holes, in the profile, by using a laser beam. Distance between floor and hole marks is $940\text{mm}[37"]$

Drill the holes in the wall and fix with hardware (plugs and screws for solid walls are included)

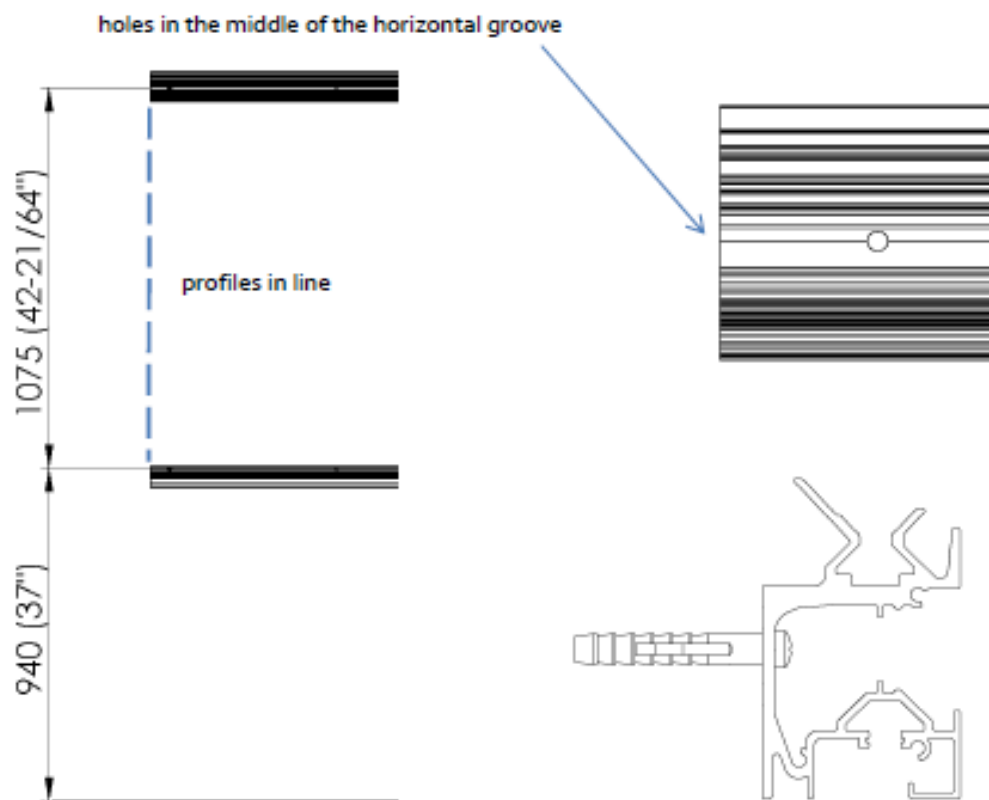


1 b) Mounting the top rail

Drill holes, $\varnothing 7\text{mm}(1/4")$ in the rail. 2 at the ends and in between every $\pm 500\text{mm}(20")$ (see lower rail)

Hold the rail against the wall and mark the holes, in the profile, by using a laser beam. Vertical distance between holes in the rails is $1075(42-21/64")$

Drill the holes in the wall and fix with hardware (plugs and screws for solid walls are included)

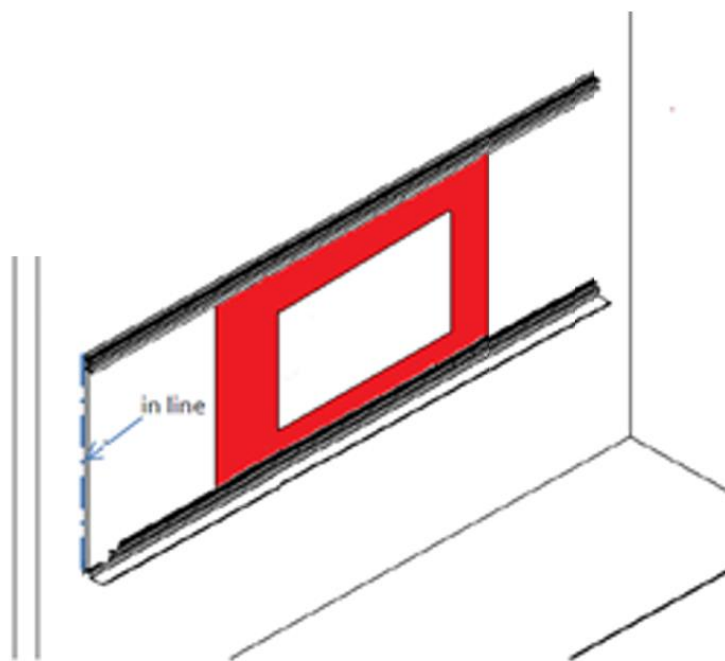


1 c) Mounting the top rail (alternative method)

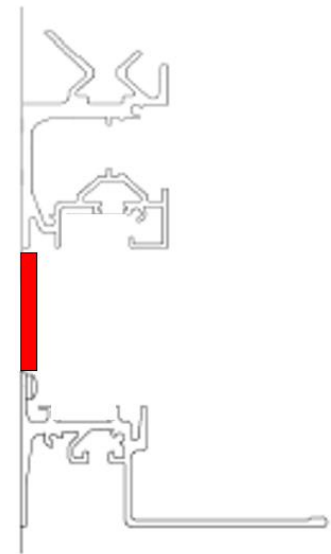
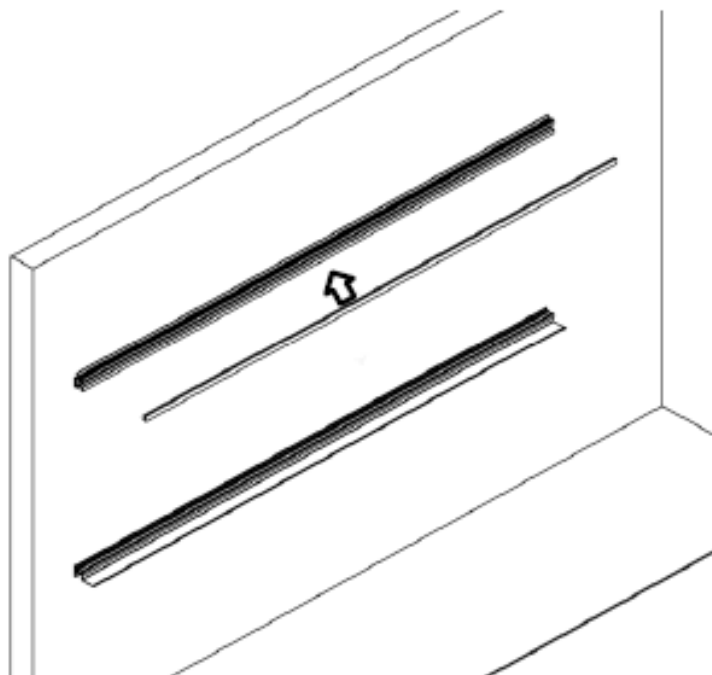
Place the top rail on the top of distance plates, with the sides in line, and mark the holes.

Remove rail and plates and drill holes on the marks.

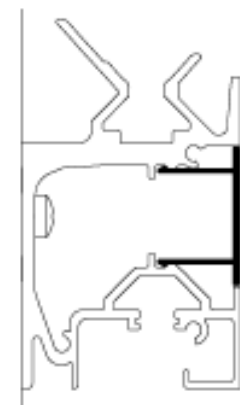
Fix the top rail



position of distance plates

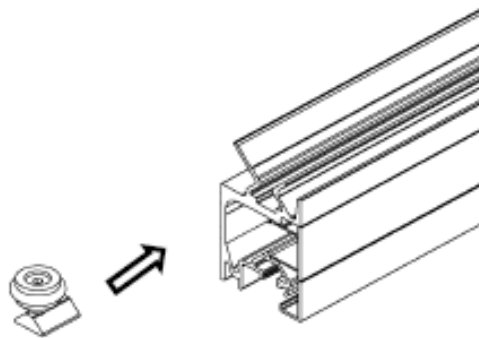
**1 d) Click the cover profile into the top rail**

cover profile colored black



2 Mount the side profiles

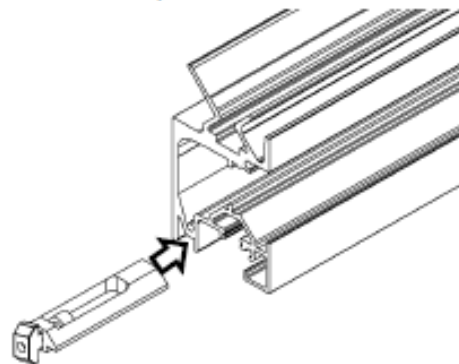
If ordered slide the end stop(s) in the top rail. (necessary when combining level 2 board(s) with cabinet(s)
see page



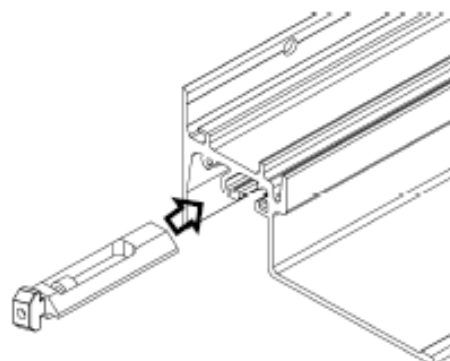
slide the connectors in the rails



top



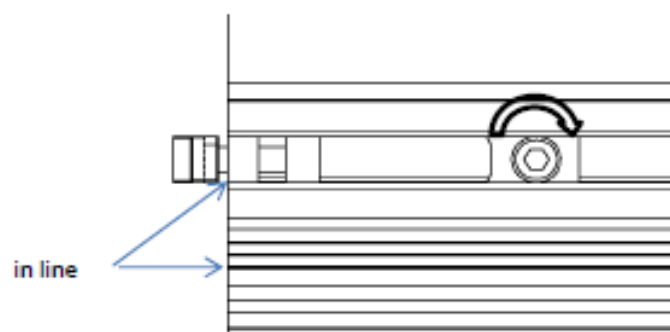
below



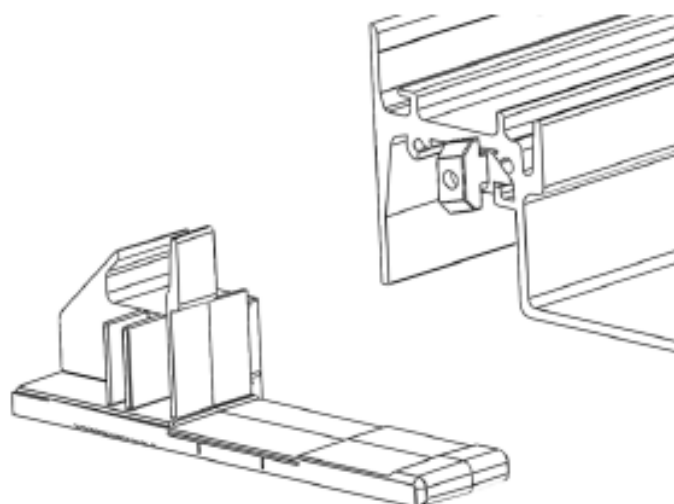
HL-Momentum-0001-12-04-A	Date : 21/03/2013	Page 6 of 14
Momentum		

Put the body of the connector in line with the end of the rail and fix the connector

bottom view



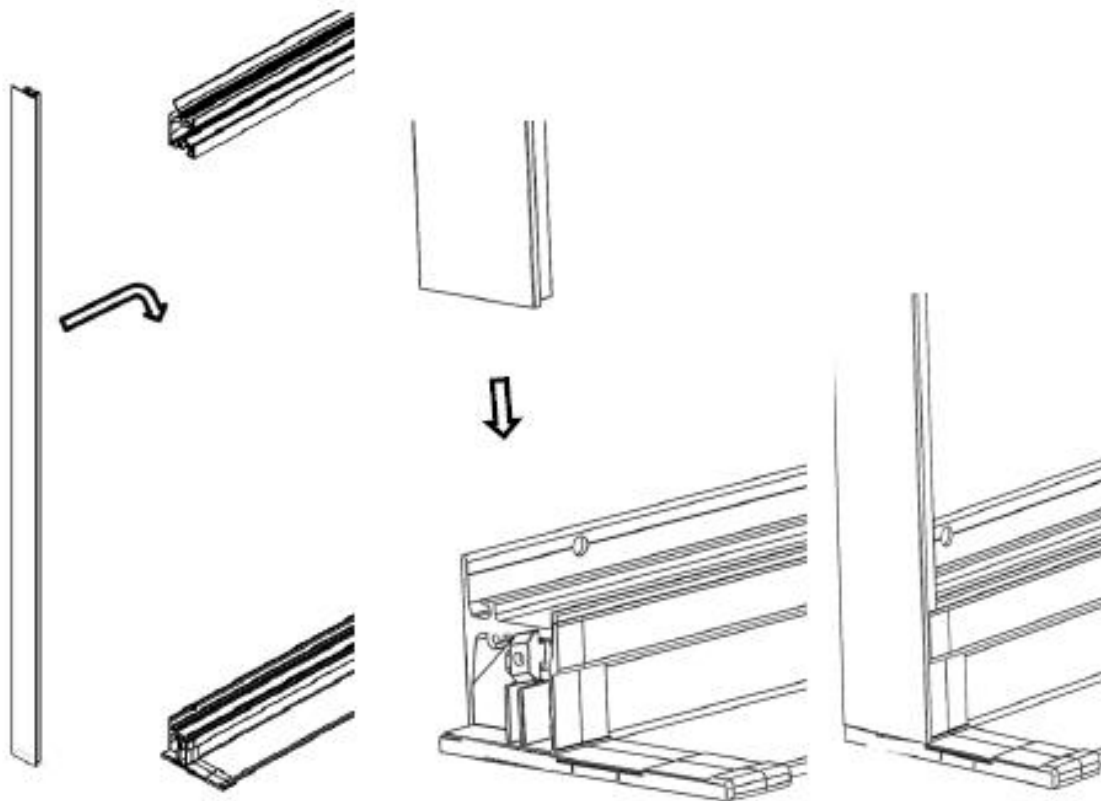
insert the end cap



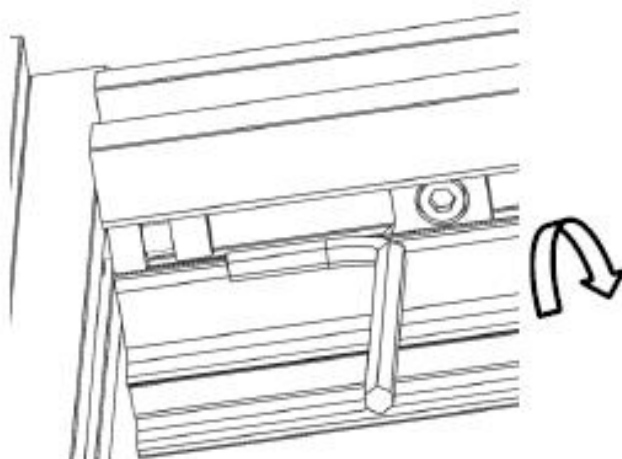
install the side profile

Momentum

place the end profile against the rails and slide it down in the connectors

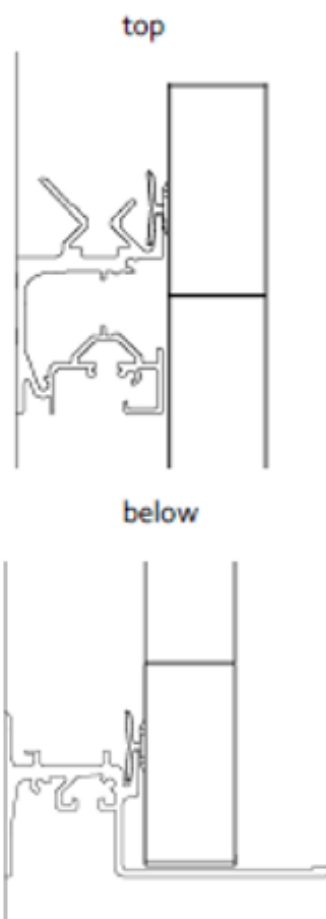
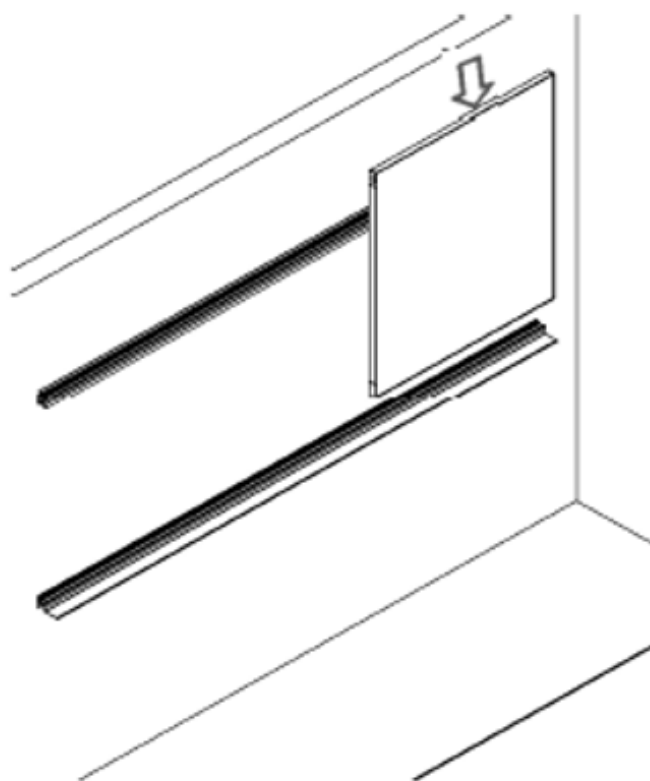


Fix the side profile with an allen wrench in short steps



④ Placement of level 1-boards

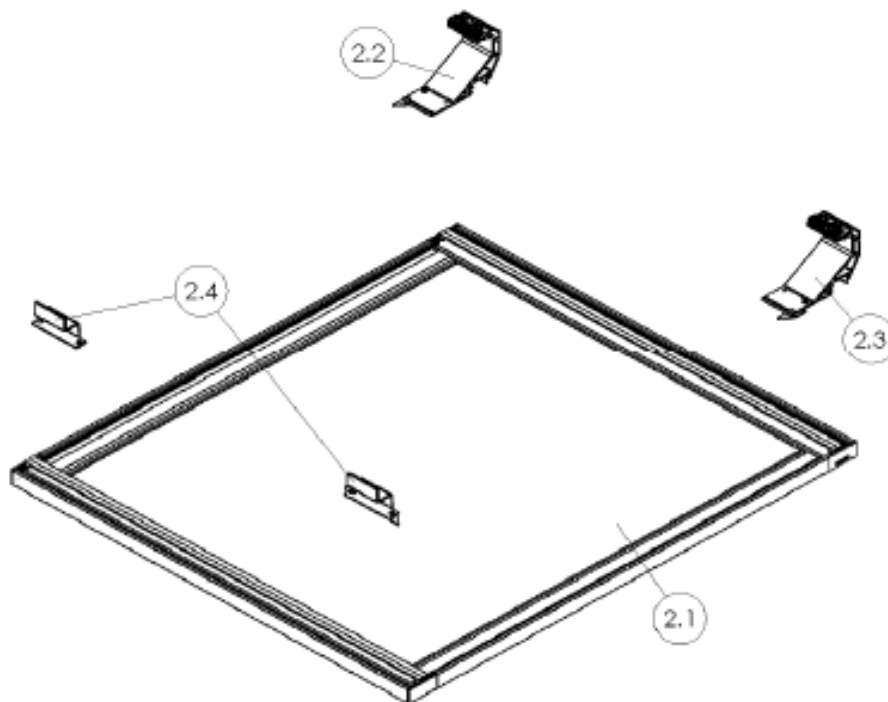
Hang the board to the rail



5 Placement of level-2 board

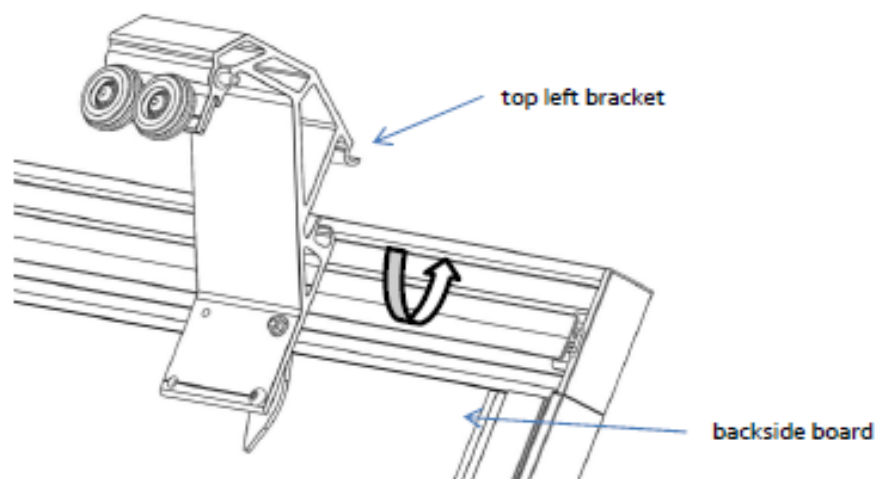
Pre-assemble brackets

- 2.1 Board
- 2.2 Top bracket right
- 2.3 Top bracket left
- 2.4 Lower bracket (2x)



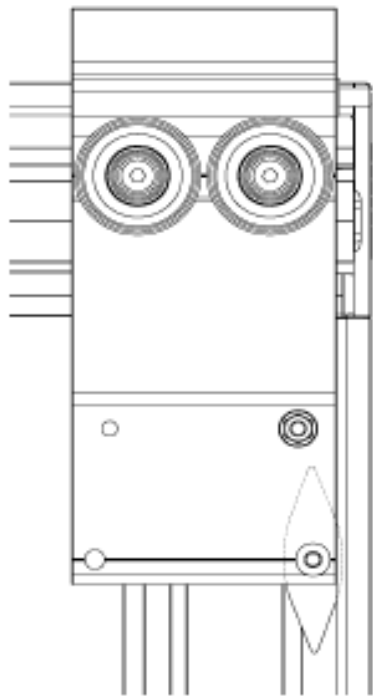
5 a) Top bracket

Place the top brackets in the corner of the board with the trapezium shaped nut in its open position

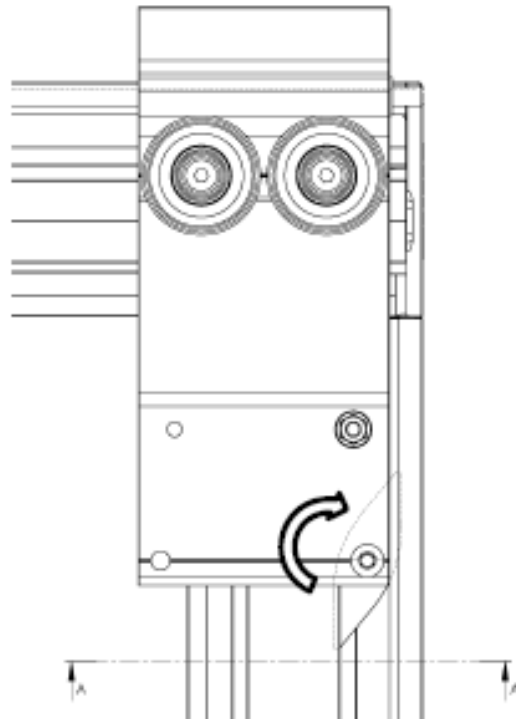


Momentum

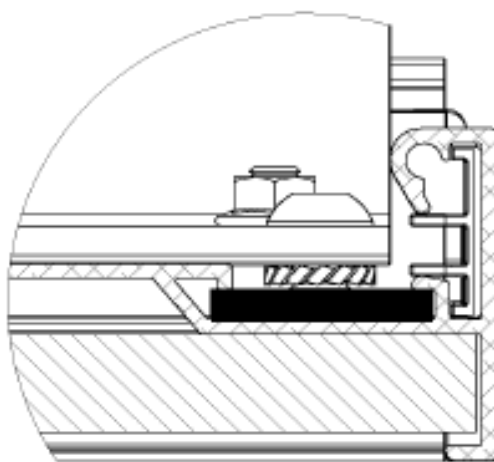
Turn the trapezium shaped nut clockwise under the boardprofile and fix it by fastening the screw



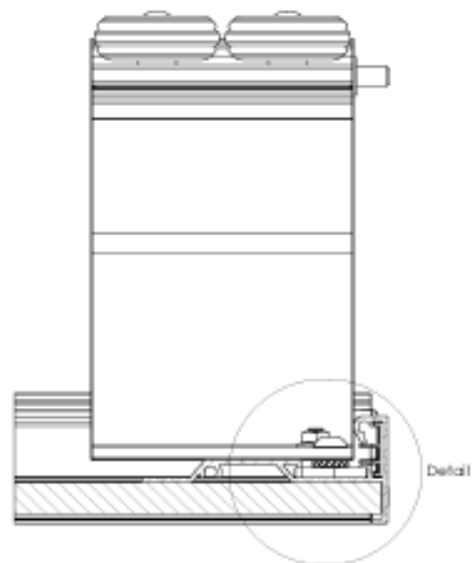
open position of the nut



closed position of the nut

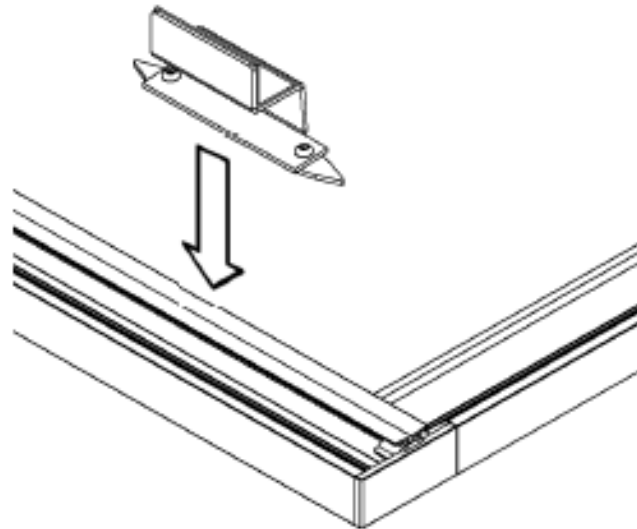


nut, colored black, correctly placed between the board profile.

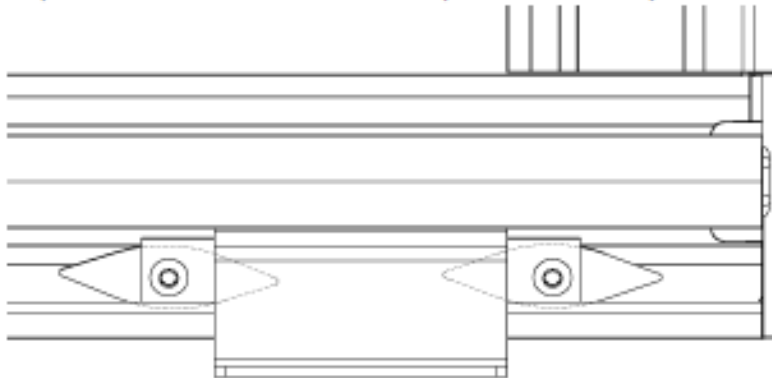


5 b) Lower bracket

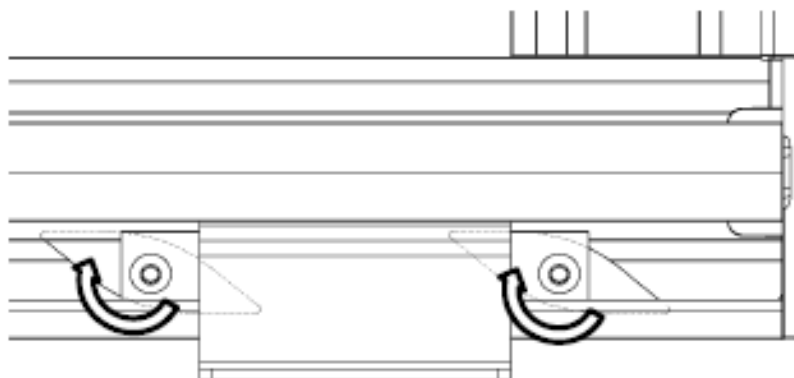
Place the lower bracket in the corner of the board with the trapezium shaped nuts in their open position



Turn the trapezium shaped nuts clockwise under the board profile and fix it by fasten the screws



open position of the nuts



closed position of the nuts

5 c) Suspend board on the upper rail

